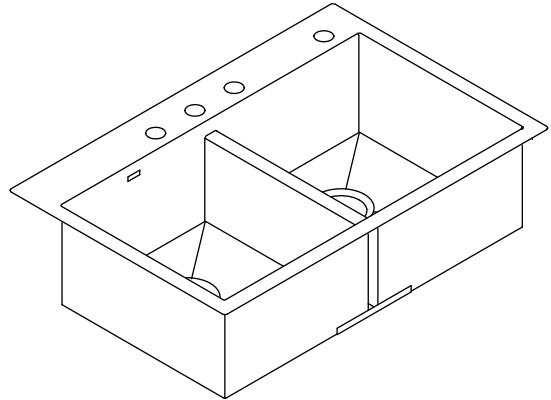


Features

- 18-gauge stainless steel
- Top-mount or under-mount
- Double (equal) bowl
- Includes bottom bowl rack (quantity of one)
- Includes installation hardware
- Includes SilentShield® sound-absorption technology
- Use for standard 36" cabinet
- 33" (838 mm) x 22" (559 mm)

TOP-MOUNT/UNDER-MOUNT KITCHEN SINK K-3820



Codes/Standards Applicable

Specified model meets or exceeds the following:

- ASME A112.19.3/CSA B45.4

Colors/Finishes

- NA: None applicable

Accessories

- CP: Polished Chrome
- ST: Stainless Steel
- NA: None applicable
- Other: Refer to Price Book for additional colors/finishes

Specified Model

Model	Description	Colors/Finishes
K-3820-1	Top-mount/Under-mount kitchen sink – single-hole	<input type="checkbox"/> NA
K-3820-3	Top-mount/Under-mount kitchen sink – 3-hole	<input type="checkbox"/> NA
K-3820-4	Top-mount/Under-mount kitchen sink – 4-hole (shown)	<input type="checkbox"/> NA

Included Accessories		
K-6641	Bottom bowl rack (fits both left and right bowls, QTY = 1)	<input type="checkbox"/> ST

Optional Accessories					
K-6429	Sink bridge utility shelf with dish cloth bar		<input type="checkbox"/> ST		
K-6432	Divider disk cloth bar		<input type="checkbox"/> ST		
K-6434	Divider utility shelf		<input type="checkbox"/> ST		
K-6667	Wood cutting board (cont.)		<input type="checkbox"/> ST		

Product Specification

The top-mount or under-mount kitchen sink shall be made of 18-gauge stainless steel. Sink shall be double (equal) bowl. Sink shall include SilentShield sound-absorption technology. Sink shall include bottom bowl rack (quantity of one) and installation hardware. Sink shall be 33" (838 mm) in length and 22" (559 mm) in width. Sink shall be for use with standard 36" cabinet. Sink shall be Kohler Model K-3820-____-NA.

(cont.) Optional Accessories

K-8801	Duostrainer [®] sink strainer	<input type="checkbox"/> CP		<input type="checkbox"/> Other_____
1131881	Hardware kit for countertops with a 2-1/2" (64 mm) thickness or less		<input type="checkbox"/> NA	

Technical Information

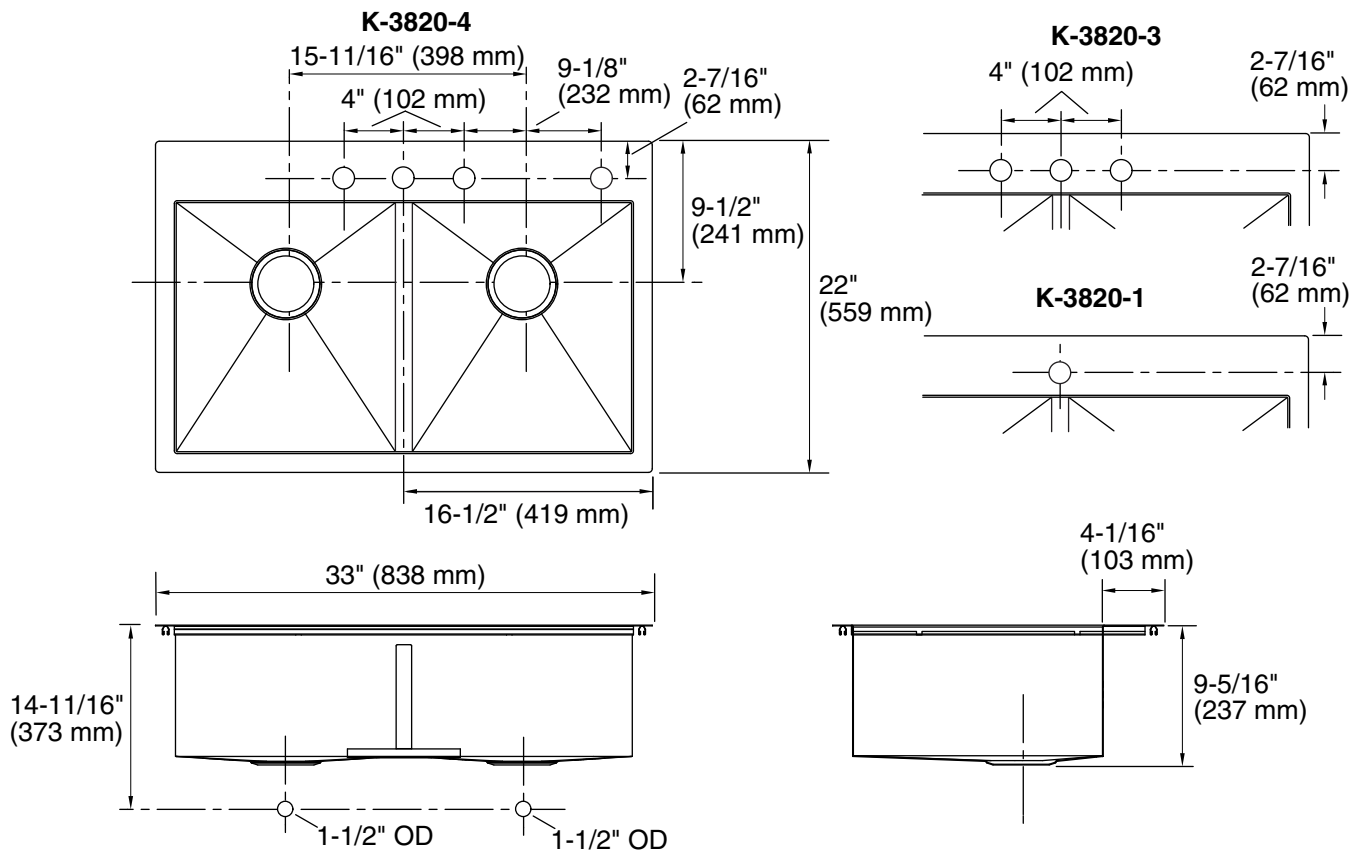
Fixture*:	
Bowl area	14-9/16" (370 mm) x 16-9/16" (421 mm) 14-9/16" (370 mm) x 16-9/16" (421 mm)
Water depth	9" (229 mm)
Drain hole	Ø 3-5/8" (92 mm)
* Approximate measurements for comparison only.	

Included components:	
Hardware kit – top-mount	1130570
Cut-out template	1130821-7

Installation Notes

Install this product according to the installation guide.

Allow 3/4" (19 mm) clearance beyond the back of the bowl for the wood cutting board (optional accessory).



Product Diagram