

UNDERMOUNT KITCHEN SINK 11444

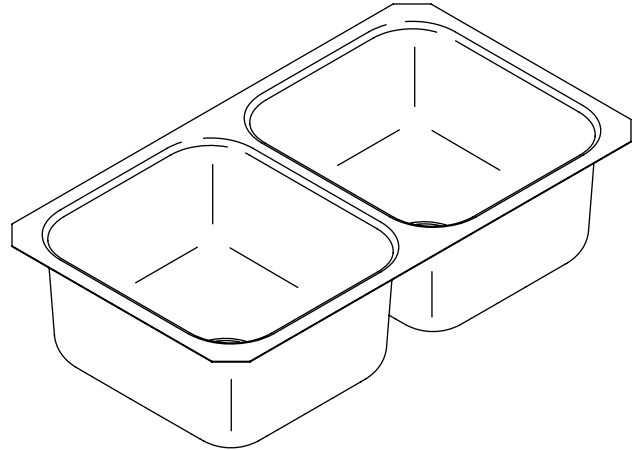
Features

- Includes SilentShield® sound-absorption technology
- 18-gauge stainless steel
- Undermount rimless design
- One-piece steel construction, no center weld
- Satin finish
- 32" (81.3 cm) x 18" (45.7 cm) x 8-9/16" (21.7 cm)

Codes/Standards Applicable

Specified model meets or exceeds the following:

- ASME A112.19.3/CSA B45.4



Colors/Finishes

- NA: None applicable

Accessories:

- NA: None applicable

Specified Model

Model	Description	Colors/Finishes
11444-NA	Stainless steel undermount sink	<input type="checkbox"/> NA

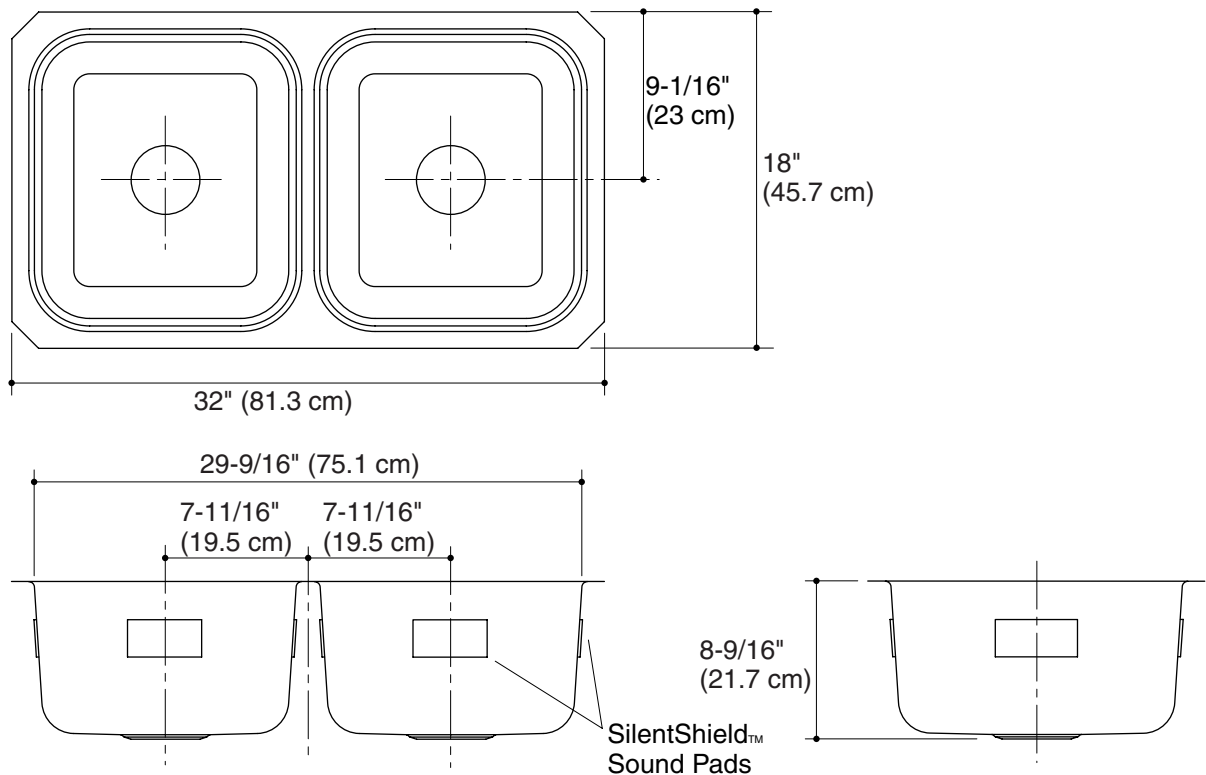
Technical Information

Fixture*:	
Basin area	14-1/16" (35.7 cm) x 15-3/4" (40 cm)
Drain hole	3-5/8" (9.2 cm) D.
* Approximate measurements for comparison only.	
Included Components:	
Hardware kit	91915
Cut-out template	1041962-7

Installation Notes

Install this product according to the installation guide.

Use the supplied cut-out template to select either a hidden or exposed rim.



Product Diagram