

### Features

- Vitreous china
- Under-mount
- ADA compliant when installed in a 21" (533 mm) minimum depth countertop
- With or without overflow
- Includes 1193643 clamp assembly
- 18" (457 mm) x 12" (305 mm) [K-2214, K-2214-G]
- 21" (533 mm) x 14" (356 mm) [K-2215]

### UNDER-MOUNT BATHROOM SINK

# K-2214

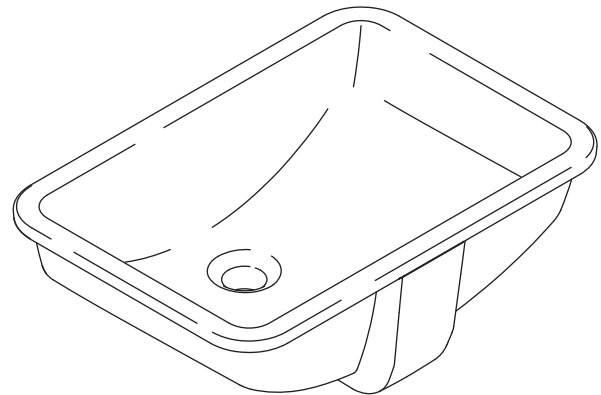
ALSO K-2215

ADA

### Codes/Standards Applicable

Specified model meets or exceeds the following:

- ASME A112.19.2/CSA B45.1
- ICC/ANSI A117.1
- ADA



### Colors/Finishes

- 0: White
- Other: Refer to Price Book for additional colors/finishes

### Accessories

- CP: Polished Chrome
- Other: Refer to Price Book for additional colors/finishes

### Specified Model

Model	Description	Colors/Finishes	
K-2214	Under-mount bathroom sink with overflow	<input type="checkbox"/> 0	<input type="checkbox"/> Other_____
K-2214-G	Under-mount bathroom sink with glazed underside, less overflow	<input type="checkbox"/> 0	<input type="checkbox"/> Other_____
K-2215	Under-mount bathroom sink with overflow	<input type="checkbox"/> 0	<input type="checkbox"/> Other_____
Recommended Accessories			
K-8998	Adjustable P-Trap	<input type="checkbox"/> CP	<input type="checkbox"/> Other_____

### Product Specification

The under-mount bathroom sink shall be made of vitreous china. Bathroom sink shall be 18" (457 mm) in length and 12" (305 mm) in width [K-2214, K-2214-G], or 21" (533 mm) in length and 14" (356 mm) in width [K-2215]. Bathroom sink shall be ADA compliant when installed in a 21" (533 mm) minimum depth countertop. Bathroom sink shall be with overflow [K-2214, K-2215] or less overflow [K-2214-G]. Bathroom sink shall include 1193643 clamp assembly. Bathroom sink shall be Kohler Model K-\_\_\_\_\_-\_\_\_\_\_ or K-2214-G-\_\_\_\_\_.

# LADENA®

## Technical Information

Fixture*:		
Basin area	K-2214, K-2214-G	18-3/8" (467 mm) x 11-5/8" (295 mm)
	K-2215	20-7/16" (519 mm) x 13-1/2" (343 mm)
Water depth	4-5/8" (117 mm)	
Drain hole	Ø 1-3/4" (44 mm)	
* Approximate measurements for comparison only.		
Cutout template – K-2214 and K-2214-G		1053195-7
Cutout template – K-2215		1002977-7
Included components:		
Basin clamp assembly		1193643

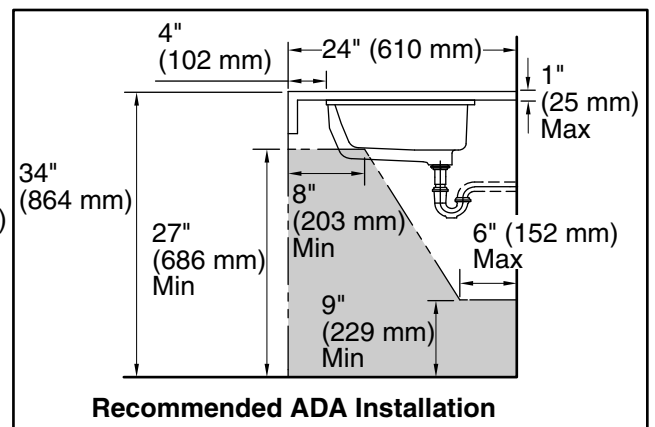
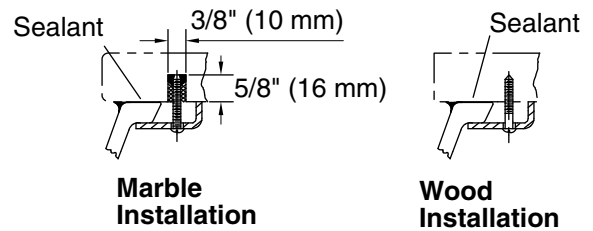
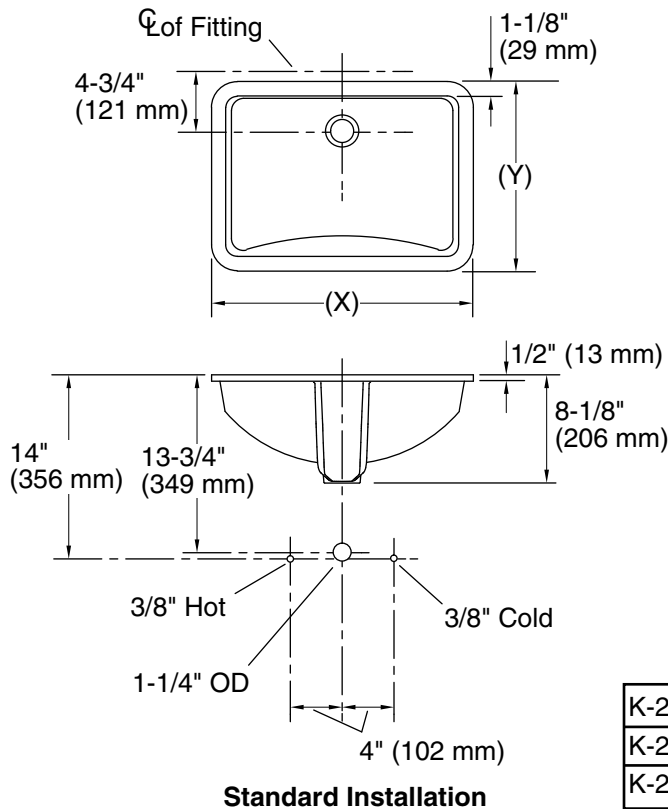
## Installation Notes

Install this product according to the installation guide.

The product diagram is based on the K-8998 adjustable P-Trap with 1" (25 mm) of tailpiece exposed.

**NOTICE:** Countertop manufacturer or cutter must use the current product template available at [www.kohler.com](http://www.kohler.com), or by calling 1-800-4KOHLER. Kohler Co. is not responsible for cutout errors when the incorrect cutout template is used.

Will comply with **ADA** when installed per section 606 Lavatories and Sinks of the 2010 ADA Standards for Accessible Design.



K-2214: (X)= 20-7/8" (530 mm), (Y)= 14-3/8" (365 mm)
K-2214-G: (X)= 20-7/8" (530 mm), (Y)= 14-3/8" (365 mm)
K-2215: (X)= 23-1/4" (591 mm), (Y)= 16-1/4" (413 mm)

## Product Diagram