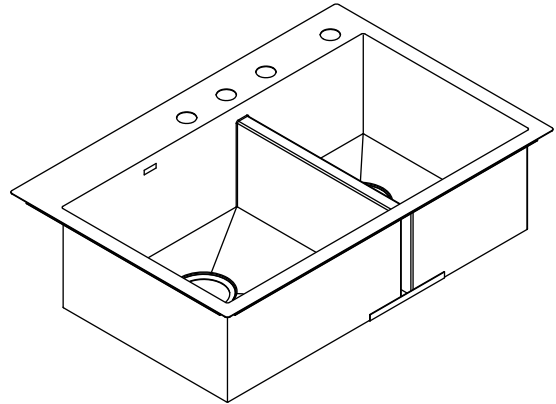


Features

- 18-gauge stainless steel
- Top-mount or under-mount
- Offset bowls
- Includes bottom bowl rack (large bowl)
- Includes installation hardware
- Includes SilentShield® sound-absorption technology
- Use for standard 36" cabinet
- 33" (838 mm) x 22" (559 mm)

TOP-MOUNT/UNDER-MOUNT KITCHEN SINK K-3823



Codes/Standards Applicable

Specified model meets or exceeds the following:

- ASME A112.19.3/CSA B45.4

Colors/Finishes

- NA: None applicable

Accessories

- CP: Polished Chrome
- ST: Stainless Steel
- NA: None applicable
- Other: Refer to Price Book for additional colors/finishes

Specified Model

Model	Description	Colors/Finishes
K-3823-1	Top-mount/Under-mount kitchen sink – single-hole	<input type="checkbox"/> NA
K-3823-3	Top-mount/Under-mount kitchen sink – 3-hole	<input type="checkbox"/> NA
K-3823-4	Top-mount/Under-mount kitchen sink – 4-hole (shown)	<input type="checkbox"/> NA

Included Accessories		
K-6646	Bottom bowl rack (for large bowl)	<input type="checkbox"/> ST

Optional Accessories		
K-6429	Sink bridge utility shelf with dish cloth bar	<input type="checkbox"/> ST
K-6432	Divider dish cloth bar	<input type="checkbox"/> ST
K-6434	Divider utility shelf	<input type="checkbox"/> ST
K-6647	Bottom bowl rack (for small bowl) (cont.)	<input type="checkbox"/> ST

Product Specification

The top-mount or under-mount kitchen sink shall be made of 18-gauge stainless steel. Sink shall include bottom bowl rack (large bowl) and installation hardware. Sink shall include SilentShield sound-absorption technology. Sink shall be offset bowls. The sink shall be 33" (838 mm) in length, 22" (559 mm) in width. Sink shall be for use with standard 36" cabinet. Sink shall be Kohler Model K-3823-____-NA.

VAULT™

(cont.) Optional Accessories					
K-6667	Wood cutting board			<input type="checkbox"/> NA	
K-8801	Duostrainer® sink strainer	<input type="checkbox"/> CP			<input type="checkbox"/> Other_____
1131881	Hardware kit for countertops with a 2-1/2" (64 mm) thickness or less			<input type="checkbox"/> NA	

Technical Information

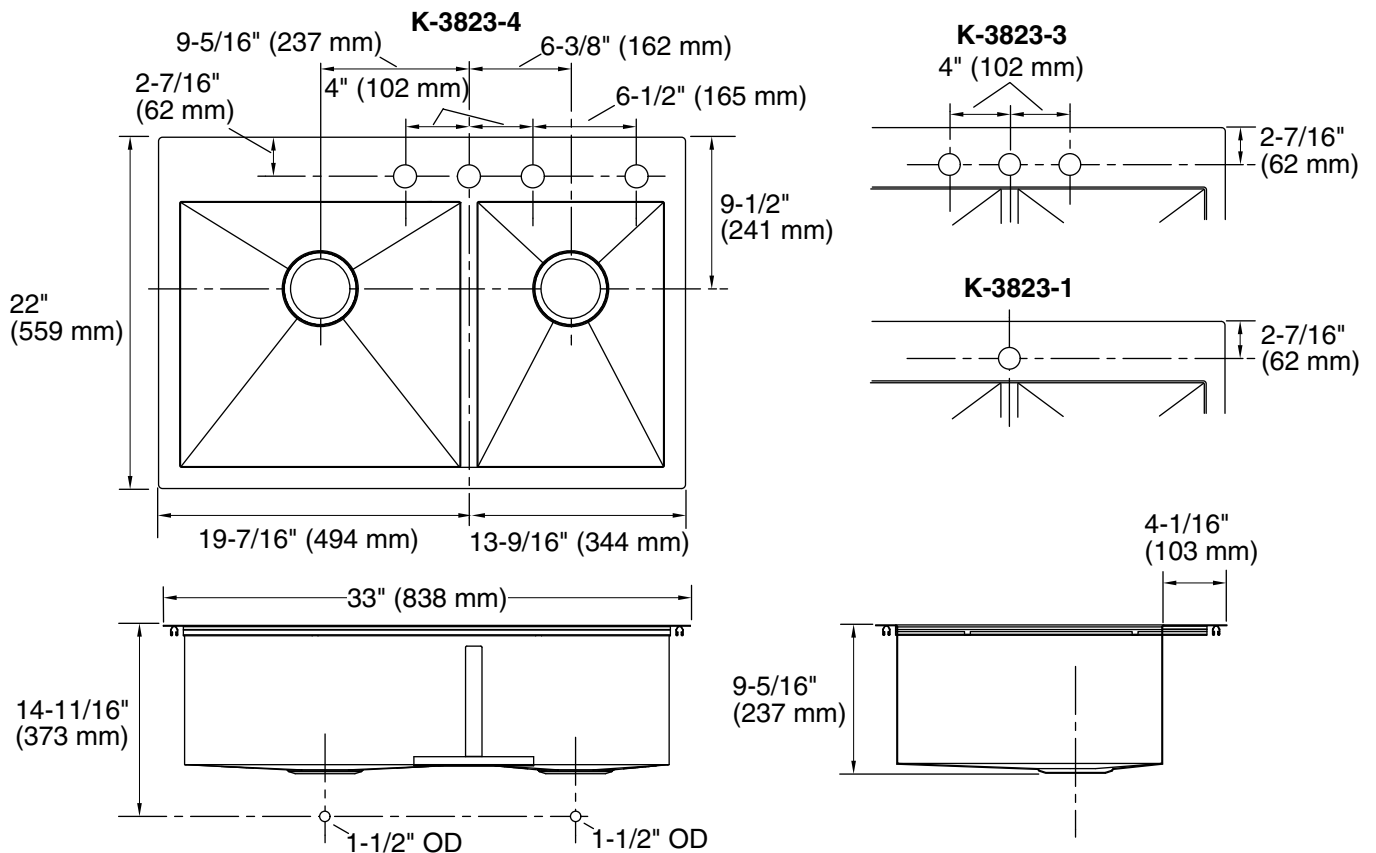
Fixture*:	
Bowl area	17-1/2" (445 mm) x 16-9/16" (421 mm) 11-5/8" (295 mm) x 16-9/16" (421 mm)
Water depth	9" (229 mm)
Drain hole	Ø 3-5/8" (92 mm)
* Approximate measurements for comparison only.	

Included components:	
Hardware kit – top-mount	1130570
Cut-out template	1130823-7

Installation Notes

Install this product according to the installation guide.

Allow 3/4" (19 mm) clearance beyond the back of the bowl for the wood cutting board (optional accessory).



Product Diagram