

Features

- KOHLER cast iron
- Without overflow
- Top-mount or under-mount
- 16-1/2" (419 mm) x 15-3/4" (400 mm)

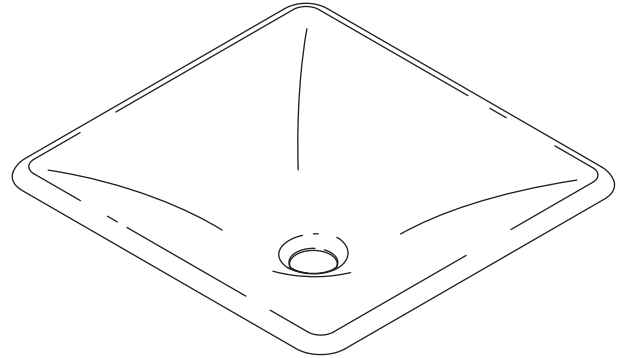
DROP-IN/UNDER-MOUNT BATHROOM SINK K-2827

ADA

Codes/Standards Applicable

Specified model meets or exceeds the following:

- ASME A112.19.1/CSA B45.2
- ICC/ANSI A117.1
- ADA



Colors/Finishes

- 0: White
- Other: Refer to Price Book for additional colors/finishes

Accessories:

- CP: Polished Chrome
- Other: Refer to Price Book for additional colors/finishes

Specified Model

Model	Description	Colors/Finishes	
K-2827	Drop-in/Under-mount bathroom sink	<input type="checkbox"/> 0	<input type="checkbox"/> Other_____
Recommended Accessory			
K-9018	P-trap	<input type="checkbox"/> CP	<input type="checkbox"/> Other_____

Product Specification

The drop-in/under-mount bathroom sink shall be 16-1/2" (419 mm) in length, and 15-3/4" (400 mm) in width. Bathroom sink shall be made of cast iron. Bathroom sink shall be ADA compliant. Bathroom sink will not have an overflow. Bathroom sink shall be Kohler Model K-2827-_____.

IRON/TONES™

Technical Information

Fixture*:	Basin area	Water depth
Bathroom sink	15-1/4" (387 mm) x 14-1/2" (368 mm)	3-3/4" (95 mm)
Drain hole	Ø 1-3/4" (44 mm)	
* Approximate measurements for comparison only.		
Included components:		
Basin clamp assembly	52047	
Cut-out template	1053507-7	

Installation Notes

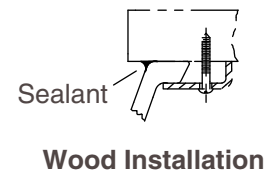
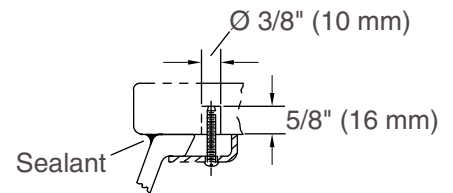
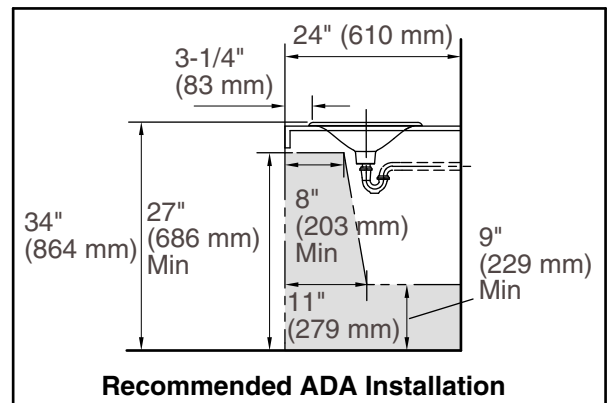
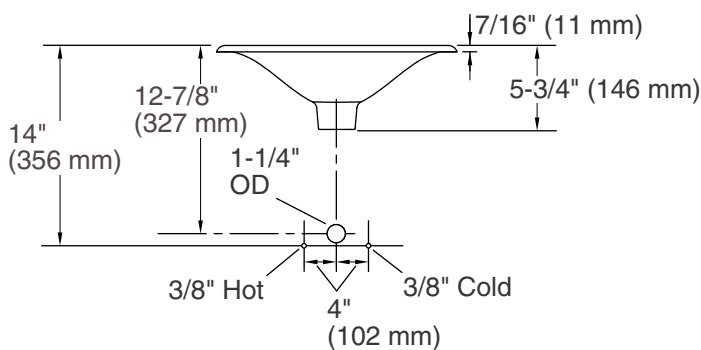
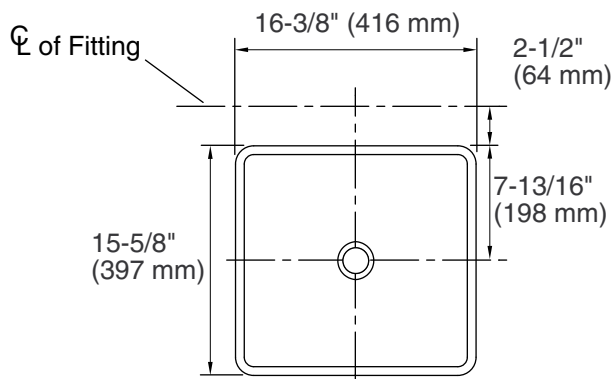
Install this product according to the installation guide.

Supplied basin clamp assemblies require 1" (25 mm) minimum countertop thickness. Installer must supply anchors for thinner countertops.

NOTICE: The countertop manufacturer or cutter **must** use the cut-out template provided with the product, or a current one provided by the Kohler Co. (call 1-800-4KOHLER.) Kohler Co. is not responsible for cut-out errors when the incorrect cut-out template is used.

Will comply with **ADA** when installed per Section 606 Lavatories of the Act.

For under-mount installation, counter top thickness can not be greater than 1" (25 mm) for **ADA** compliance.



Product Diagram