

### Features

- Vitreous china
- Under-mount
- With overflow
- Without faucet hole(s)
- Includes 1193643 clamp assembly
- 17" (432 mm) x 14" (356 mm)

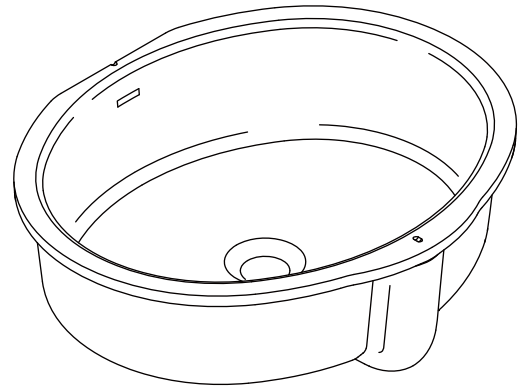
## UNDER-MOUNT BATHROOM SINK K-2881

ADA

### Codes/Standards Applicable

Specified model meets or exceeds the following:

- ADA
- ASME A112.19.2/CSA B45.1
- ICC/ANSI A117.1



### Colors/Finishes

- 0: White
- Other: Refer to Price Book for additional colors/finishes

### Accessories

- CP: Polished Chrome
- Other: Refer to Price Book for additional colors/finishes

### Specified Model

Model	Description	Colors/Finishes	
K-2881	Under-mount bathroom sink	<input type="checkbox"/> 0	<input type="checkbox"/> Other_____
Recommended Accessories			
K-8998	Adjustable P-Trap	<input type="checkbox"/> CP	<input type="checkbox"/> Other_____

### Product Specification

The under-mount bathroom sink shall be made of vitreous china. Bathroom sink shall be 17" (432 mm) in length and 14" (356 mm) in width. Bathroom sink shall be with overflow and without faucet hole(s). Bathroom sink shall include 1193643 clamp assembly. Bathroom sink shall be Kohler Model K-2881-\_\_\_\_\_.

# VERTICYL™

## Technical Information

Fixture*:	
Basin area	17" (432 mm) x 14" (356 mm)
Water depth	3-1/8" (79 mm)
Drain hole	Ø 1-3/4" (44 mm)
* Approximate measurements for comparison only.	
Cutout template	1151011-7
Included components:	
Basin clamp assembly	1193643

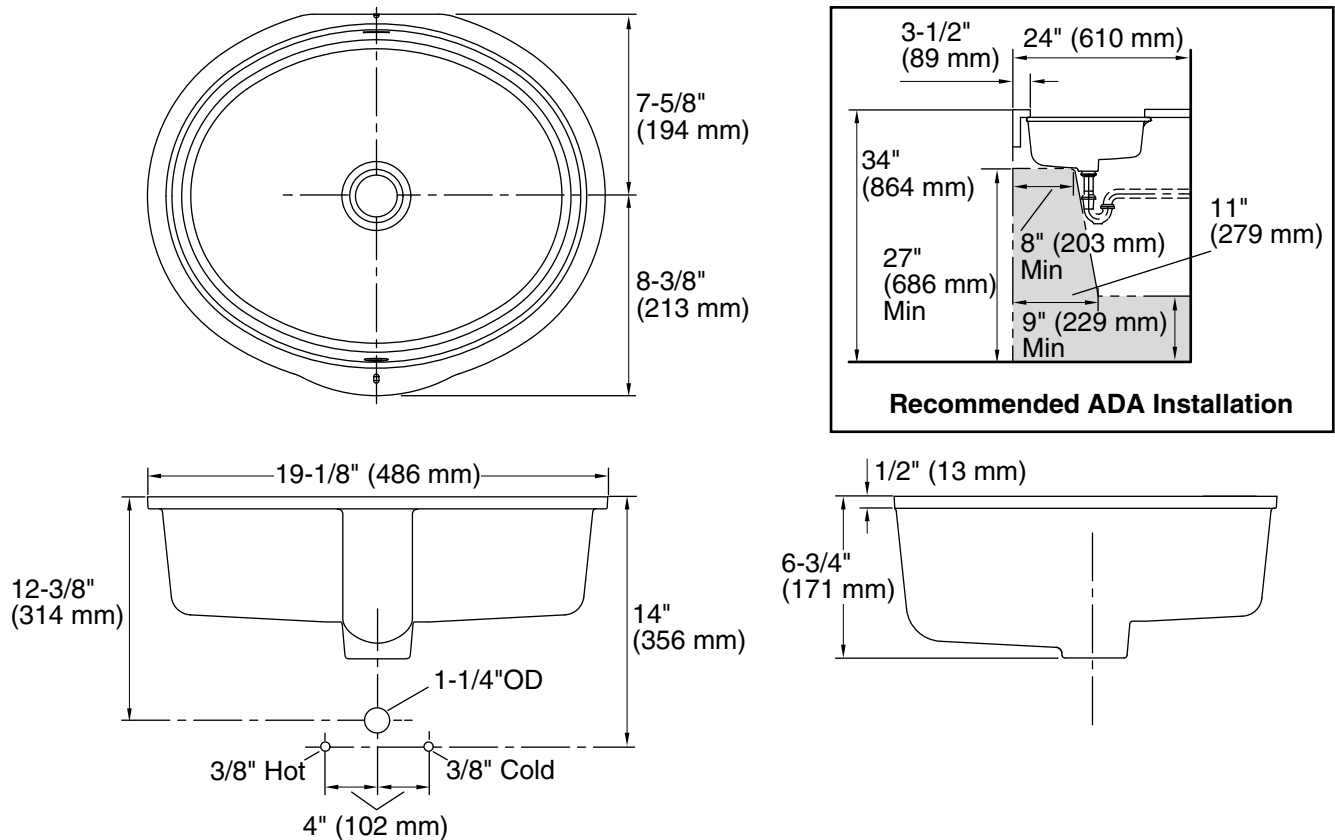
## Installation Notes

Install this product according to the installation guide.

**NOTICE:** Countertop manufacturer or cutter must use the current product template available at [www.kohler.com](http://www.kohler.com), or by calling 1-800-4KOHLER. Kohler Co. is not responsible for cutout errors when the incorrect cutout template is used.

Will comply with **ADA** when installed per section 606 Lavatories and Sinks of the 2010 Standards for Accessible Design.

For under-mount installation, countertop thickness cannot be greater than 1" (25 mm) for **ADA** compliance.



## Product Diagram