

### Features

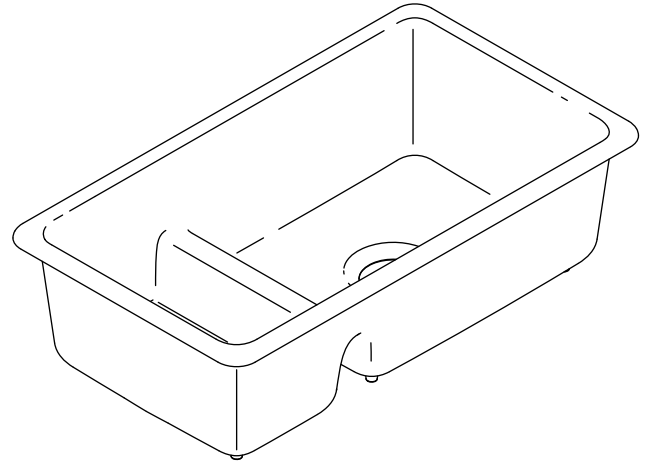
- KOHLER cast iron
- Acid-resistant enamel finish
- Double (small/large) compartment
- Top-mount or under-mount
- 23" (584 mm) under-mount sink kit included
- Reversible
- 4-1/2" (114 mm) height divider
- 33" (838 mm) x 18-3/4" (476 mm)

### Codes/Standards Applicable

Specified model meets or exceeds the following:

- ASME A112.19.1/CSA B45.2

## TOP-MOUNT OR UNDER-MOUNT KITCHEN SINK K-6625



### Colors/Finishes

- 0: White
- Other: Refer to Price Book for additional colors/finishes

### Accessories

- CP: Polished Chrome
- Other: Refer to Price Book for additional colors/finishes

### Specified Model

Model	Description	Colors/Finishes	
K-6625	Top-mount or under-mount kitchen sink	<input type="checkbox"/> 0	<input type="checkbox"/> Other_____
Optional Accessories			
K-8801	Duostrainer® sink strainer	<input type="checkbox"/> CP	<input type="checkbox"/> Other_____

### Product Specification

The reversible top-mount or under-mount kitchen sink shall be made of cast iron with acid-resistant enamel finish. Sink shall be 33" (838 mm) in length and 18-3/4" (476 mm) in width for a top-mount installation or 30-5/16" (770 mm) in length and 16-1/16" (408 mm) in width for an under-mount installation. Sink shall be double compartment with 4-1/2" (114 mm) height divider. Sink shall include under-mount sink kit 23" (584 mm). Sink shall be Kohler Model K-6625-\_\_\_\_\_.

# IRON/TONES™

## Technical Information

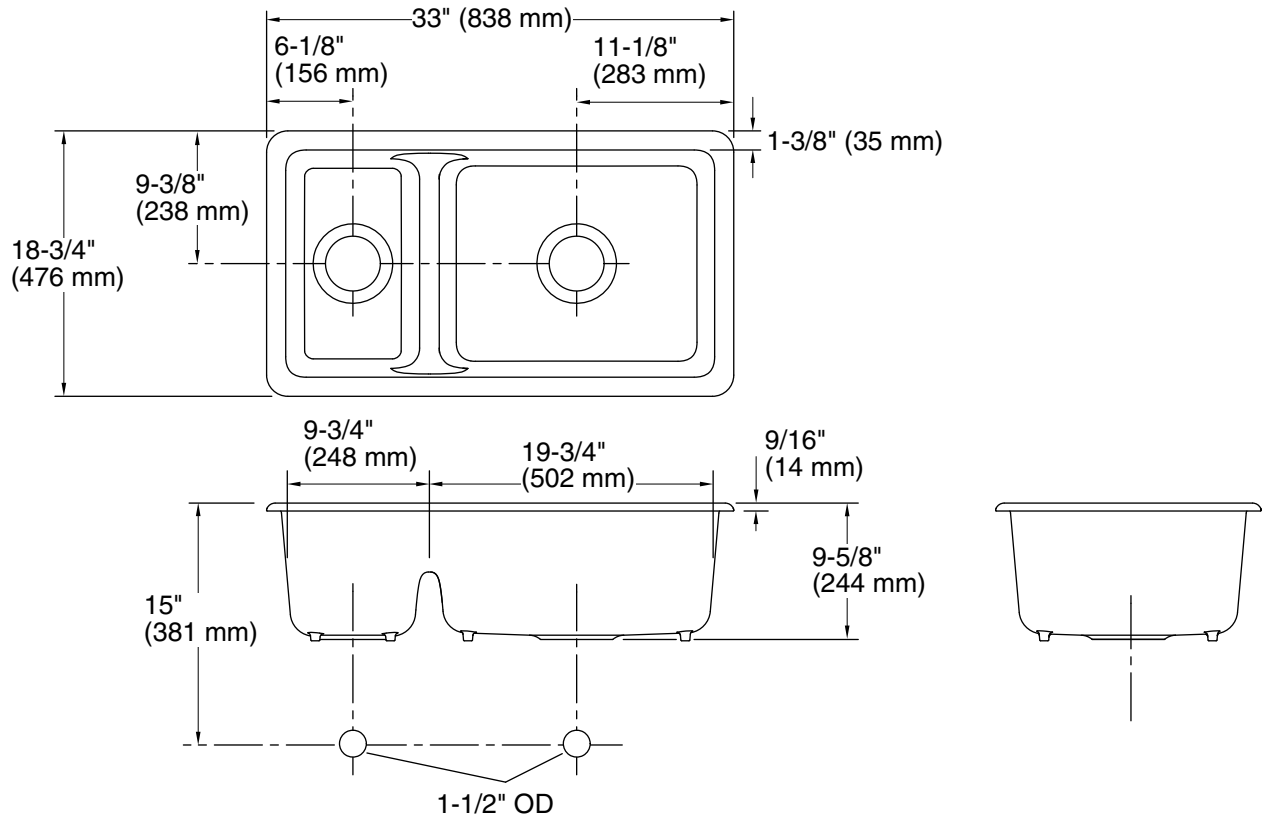
Fixture*:	
Bowl area	30" (762 mm) x 16" (406 mm)
Water depth	9" (229 mm)
Drain holes	Ø 3-7/8" (98 mm)
* Approximate measurements for comparison only.	

Included components:	
Cut-out template	1043168-7
Under-mount sink kit 23" (584 mm)	1054375

## Installation Notes

Install this product according to the installation guide.

**NOTICE:** The countertop manufacturer or cutter **must** use the cut-out template provided with the product, or a current one provided by the Kohler Co. (Call 1-800-4-KOHLER.) Kohler Co. is not responsible for cut-out errors when the incorrect cut-out template is used.



## Product Diagram

IRON/TONES™ TOP-MOUNT OR UNDER-MOUNT KITCHEN SINK