

STERLING®

A KOHLER COMPANY

CINCH™

KITCHEN SINK 11724

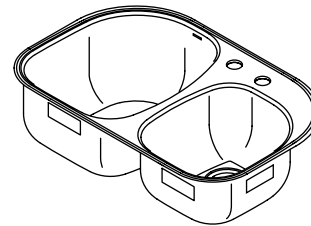
Features

- 18-gauge stainless steel
- One-piece steel construction, no center weld
- Undermount design
- Luster finish
- Available with or without integrated faucet deck
- Offset high/low basins
- Includes SilentShield® sound-absorption technology
- 31-1/2" (800 mm) x 20-1/2" (521 mm)
- 9-5/16" (237 mm) large basin height
- 7-13/16" (198 mm) small basin height

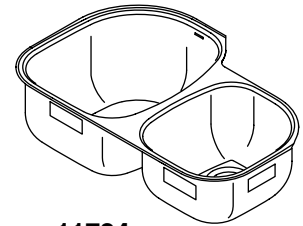
Codes/Standards Applicable

Specified model meets or exceeds the following:

- ASME A112.19.3/CSA B45.4



11724-2



11724

Colors/Finishes

- NA: None applicable

Specified Model

Model	Description	Faucet Holes	Colors/Finishes
11724	Kitchen sink without integrated faucet deck (shown)	<input type="checkbox"/> 0	<input type="checkbox"/> NA
11724-1	Kitchen sink with integrated faucet deck	<input type="checkbox"/> 1	<input type="checkbox"/> NA
11724-2	Kitchen sink with integrated faucet deck (shown)	<input type="checkbox"/> 2	<input type="checkbox"/> NA

Technical Information

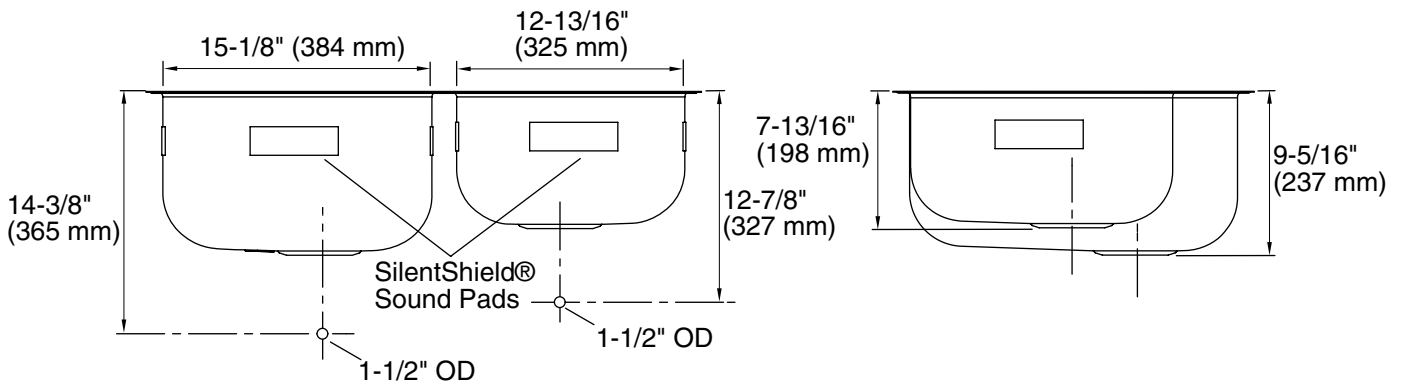
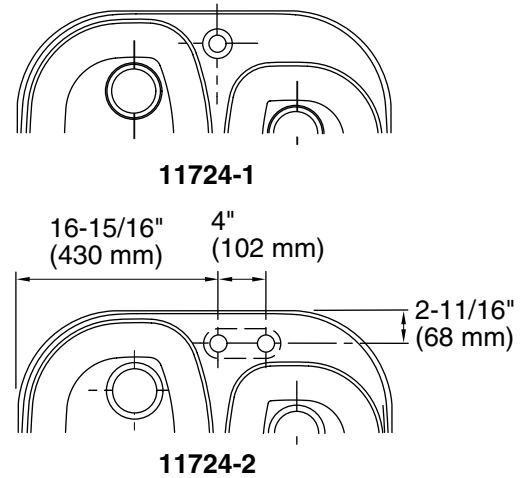
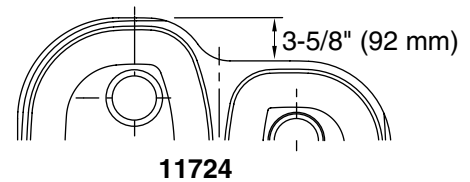
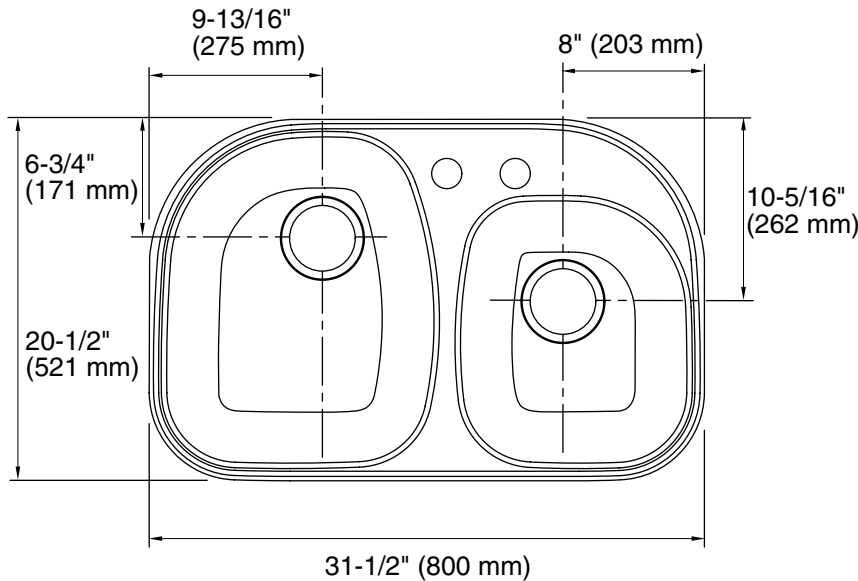
Fixture*:	Large basin	Small basin
Basin area	15-1/8" (384 mm) x 18-1/2" (470 mm)	12-13/16" (325 mm) x 14-7/8" (378 mm)
Basin depth	9-5/16" (237 mm)	7-13/16" (198 mm)
Drain hole	Ø 3-5/8" (92 mm)	Ø 3-5/8" (92 mm)
Faucet hole	Ø 1-3/8" (35 mm)	Ø 1-3/8" (35 mm)

* Approximate measurements for comparison only.

Included components:	
Hardware kit	91915
Cut-out template	1105667-7

Installation Notes

Install this product according to the installation guide.



Product Diagram