



Custom Tops - Job Order Form

P.O. Box 766, Bryan, OH 43506
(419) 636-4555 Phone - (419) 636-3744 Fax

Company: _____ Location: _____

Contact Name: _____ Email Address: _____

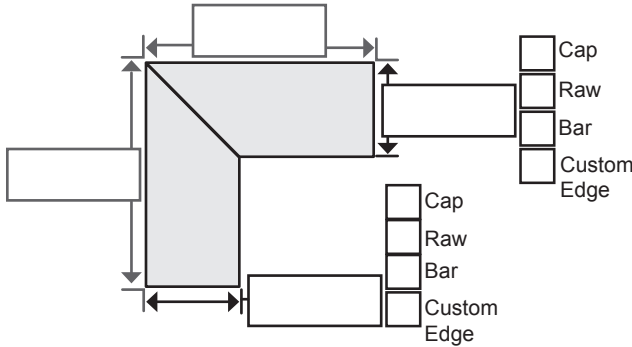
Customer/Job Name: _____ Purchase Order: _____

Today's Date: _____ Requested By Date: _____

* Specification drawings, images of edge profiles and backsplashes are available at www.lesmith.com/specifications

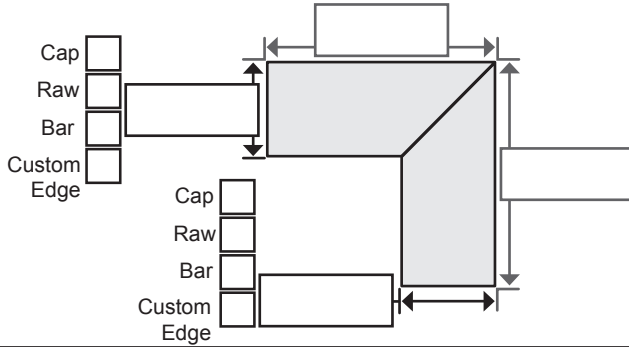
Top #1

Laminate Color #



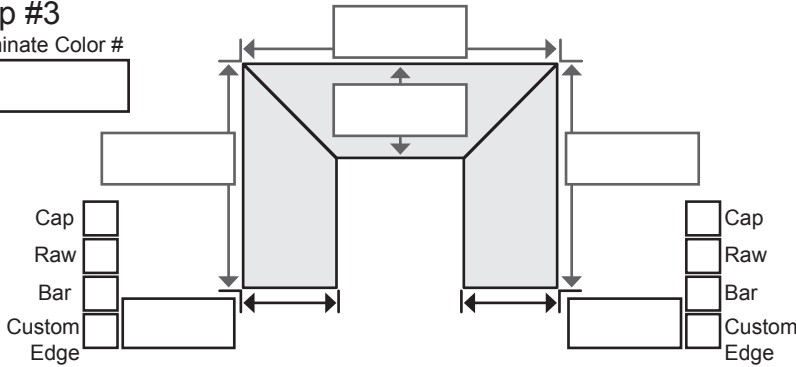
Top #2

Laminate Color #



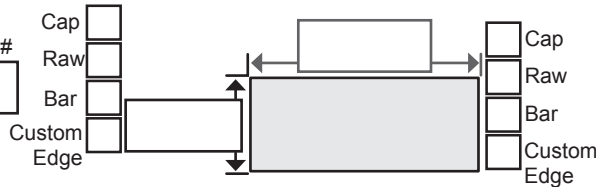
Top #3

Laminate Color #



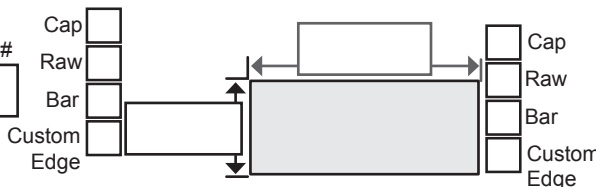
Top #4

Laminate Color #



Top #5

Laminate Color #



PROFILE TYPES

- | | | |
|---|--|--|
| <input type="checkbox"/> Caprice (Post-form) | <input type="checkbox"/> Valencia (Tuscan) | <input type="checkbox"/> Classic A (Coved Self Edge) |
| <input type="checkbox"/> Tempo (Modern-front) | <input type="checkbox"/> Barcelona (Venetian) | <input type="checkbox"/> Beveled |
| <input type="checkbox"/> Futura (180) | <input type="checkbox"/> Geneva | <input type="checkbox"/> Classic B (Coved Bevel) |
| <input type="checkbox"/> Nova (Euro) | <input type="checkbox"/> Ora | <input type="checkbox"/> Crescent Edge (Wilsonart) |
| <input type="checkbox"/> Ideal Edge (Formica) | <input type="checkbox"/> Self Edge | <input type="checkbox"/> Marbella (Pencil) |
| <input type="checkbox"/> Ogee | www.lesmith.com/specifications | |
| <input type="checkbox"/> Bullnose | | |

SINK INFORMATION

Manufacturer: _____

Model #: _____

Cut Out Size: _____

Centerline Top #: _____

R or L _____ Setback: _____

SPECIALTY MITERS

- Out of Square (3,4,5 or Degree) _____
- Dogleg Pie Miter
- Reverse Lazy Susan
- 135 Degree

STOVE INFORMATION

Cooktop Slide In Drop In

Make: _____

Model #: _____

Cut Out Size: _____

Centerline Top #: _____

R or L _____

Setback: _____

BACKSPLASH

- Set On Attached
- Self Edge: _____
- Bevel: _____
- Set On Loose
- Self Edge: _____
- Bevel: _____
- Coved None

MITER

- Assembled
- Unassembled
- No Seam

ENDSPLASH

- * All Endsplashes Are Loose
- Contoured
- Contoured Flush Mount
- Butted (Attached)
- Butted (Loose)
- Partial Contoured
- Partial Flush Mount Contoured
- Universal

Special Instructions _____

ADDITIONAL OPTIONS

- Radius (Self Edge Only) T-Cup Radius (Postform Only) Solid Build Up
- Sweep (Postform Only) Loose/Attached Buttjoint (Over 144") Loose Solid Build Up
- Clip