



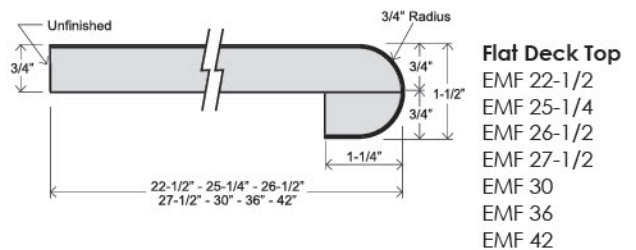
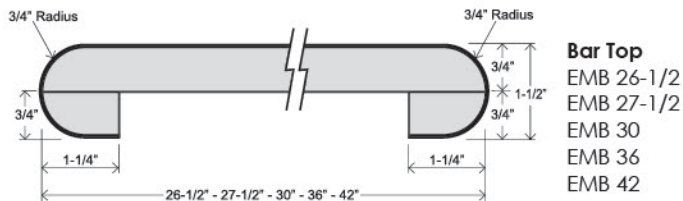
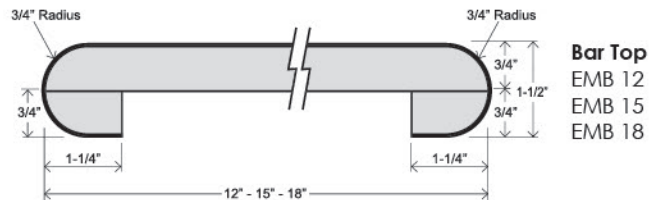
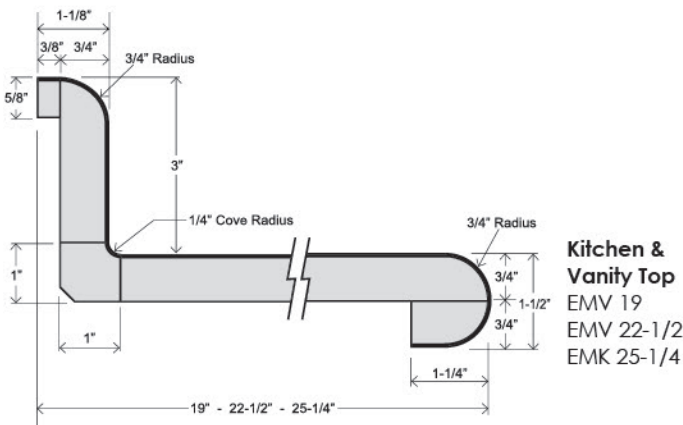
## E-TOP 1500

Crisp European styling with today's new trends in mind. E-Top 1500 has a 180° front nose, 1-1/2" thick. The laminate wraps around the front nose giving added protection. This sleek, gorgeous design will enhance any room.



## Features

- 180° front nose, 1-1/2" thick, the European look
- 1/4" cove radius for easy cleaning
- Featuring 1"x1" cove molding
- 3/8" MDF scribe for fitting out-of-square walls
- 1-1/4" front build-up for floating countertop installation
- Kitchen and vanity tops feature 3" backsplash
- All bars feature 180° wrap both sides
- Flat deck tops have 180° wrap front side, unfinished back side



## Exceptional quality laminate surfaces

For over 70 years, The L.E. Smith Company has worked hard to become one of the best laminate countertop manufacturers in the country. Today, that commitment is as strong as ever.

In addition to offering exceptional quality products, we are also committed to helping you improve profitability. A partnership with L.E. Smith means that you can focus on your highest profit return areas while we handle your laminate surface needs.