



Custom Tops - Job Order Form

P.O. Box 766, Bryan, OH 43506
 (419) 636-4555 Phone - (419) 636-3744 Fax

Company: _____ Location: _____

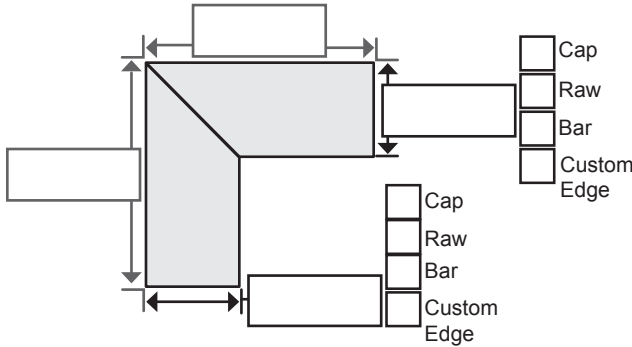
Contact Name: _____ Email Address: _____

Customer/Job Name: _____ Purchase Order: _____

Today's Date: _____ Requested By Date: _____

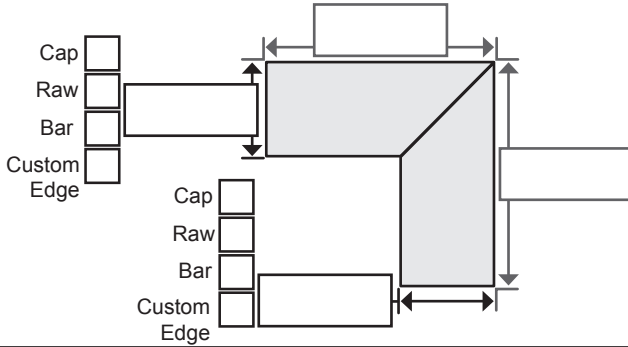
Top #1

Laminate Color #



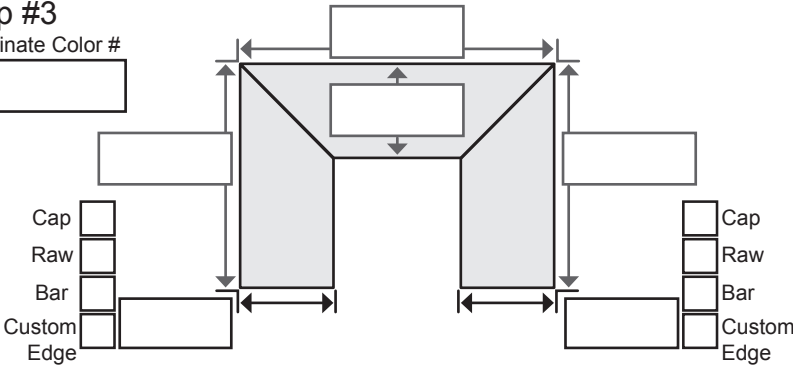
Top #2

Laminate Color #



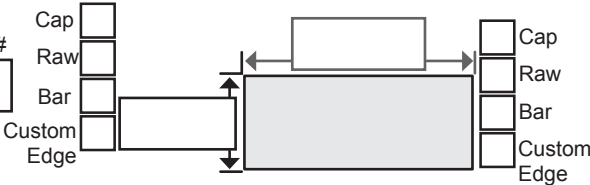
Top #3

Laminate Color #



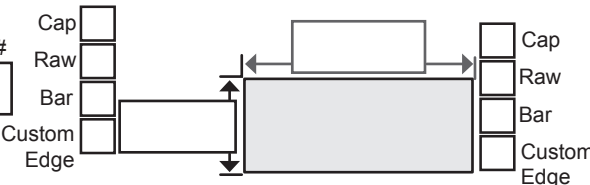
Top #4

Laminate Color #



Top #5

Laminate Color #



PROFILE TYPES

- | | | |
|---|------------------------------------|--|
| <input type="checkbox"/> Ultra-Top No-Drip | <input type="checkbox"/> Amore | <input type="checkbox"/> Dura-Top |
| <input type="checkbox"/> Ultra-Waterfall | <input type="checkbox"/> Vida | <input type="checkbox"/> Beveled |
| <input type="checkbox"/> E-Top #2000 | <input type="checkbox"/> Aegean | <input type="checkbox"/> Coved Bevel |
| <input type="checkbox"/> E-Top #1500 | <input type="checkbox"/> Caspian | <input type="checkbox"/> Crescent Edge (Wilsonart) |
| <input type="checkbox"/> Ideal Edge (Formica) | <input type="checkbox"/> Self Edge | <input type="checkbox"/> |
| <input type="checkbox"/> Ogee | | |
| <input type="checkbox"/> Bullnose | | |

SINK INFORMATION

Manufacturer: _____

Model #: _____

Cut Out Size: _____

Centerline Top #: _____

R or L _____ Setback: _____

SPECIALTY MITERS

- | | |
|--|-------------------------------------|
| <input type="checkbox"/> Out of Square (3,4,5 or Degree) _____ | |
| <input type="checkbox"/> Dogleg | <input type="checkbox"/> Pie Miter |
| <input type="checkbox"/> Reverse | <input type="checkbox"/> Lazy Susan |
| <input type="checkbox"/> 135 Degree | |

STOVE INFORMATION

- Cooktop Slide In Drop In

Make: _____

Model #: _____

Cut Out Size: _____

Centerline Top #: _____

R or L _____

Setback: _____

BACKSPLASH

- | | |
|---|-------------------------------|
| <input type="checkbox"/> Set On Attached | |
| <input type="checkbox"/> Self Edge: _____ | |
| <input type="checkbox"/> Bevel: _____ | |
| <input type="checkbox"/> Set On Loose | |
| <input type="checkbox"/> Self Edge: _____ | |
| <input type="checkbox"/> Bevel: _____ | |
| <input type="checkbox"/> Coved | <input type="checkbox"/> None |

MITER

- | |
|--------------------------------------|
| <input type="checkbox"/> Assembled |
| <input type="checkbox"/> Unassembled |
| <input type="checkbox"/> No Seam |

ENDSPLASH

- * All Endsplashes Are Loose
- | |
|--|
| <input type="checkbox"/> Contoured |
| <input type="checkbox"/> Contoured Flush Mount |
| <input type="checkbox"/> Butted (Attached) |
| <input type="checkbox"/> Butted (Loose) |
| <input type="checkbox"/> Partial Contoured |
| <input type="checkbox"/> Partial Flush Mount Contoured |
| <input type="checkbox"/> Universal |

Special Instructions

ADDITIONAL OPTIONS

- | | | |
|--|---|---|
| <input type="checkbox"/> Radius (Self Edge Only) | <input type="checkbox"/> T-Cup Radius (Postform Only) | <input type="checkbox"/> Solid Build Up |
| <input type="checkbox"/> Sweep (Postform Only) | <input type="checkbox"/> Loose/Attached Buttjoint (Over 144") | <input type="checkbox"/> Loose Solid Build Up |
| <input type="checkbox"/> Clip | | |